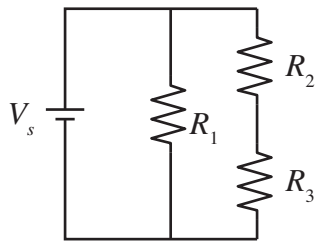


For each of the following circuits, compute

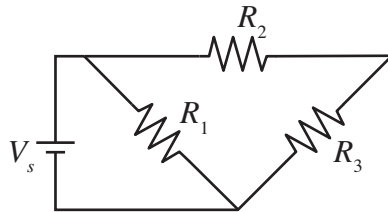
1. The equivalent resistance
2. The current leaving the voltage source
3. The power dissipated in resistor number 3.

Use $V_s = 5\text{ V}$ and $R_1 = R_2 = \dots = 330\ \Omega$

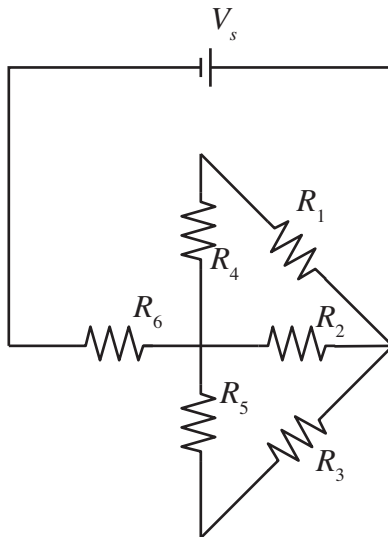
1.



2.



3.



4.

