

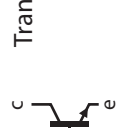
Quartz Crystal



Capacitor



Transistor



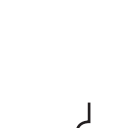
Transformer



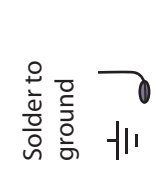
Inductor



Resistor



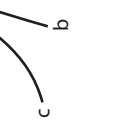
Solder to ground



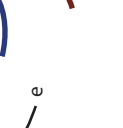
Solder to ground



Resistor



Transistor



Transformer



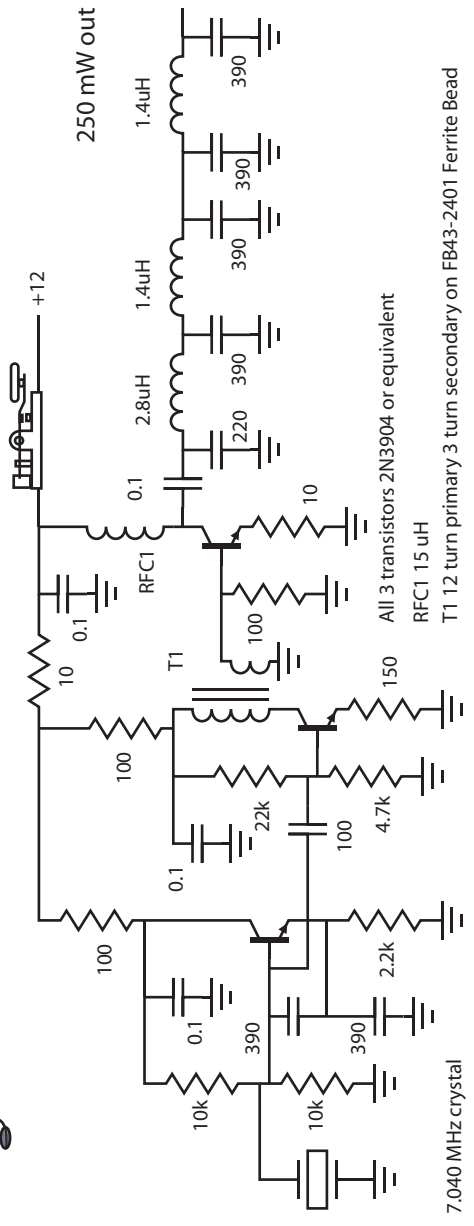
Inductor



Resistor



Solder to ground



7.040 MHz crystal

All 3 transistors 2N3904 or equivalent

RFC1 15 uH

T1 12 turn primary 3 turn secondary on FB43-2401 Ferrite Bead