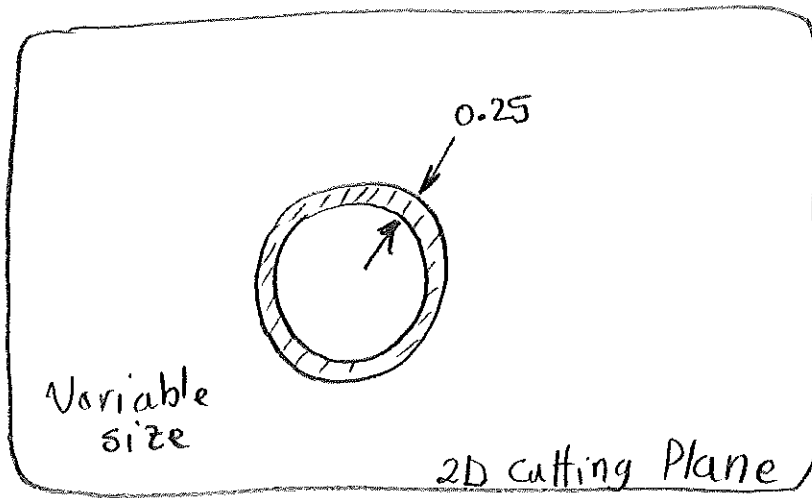


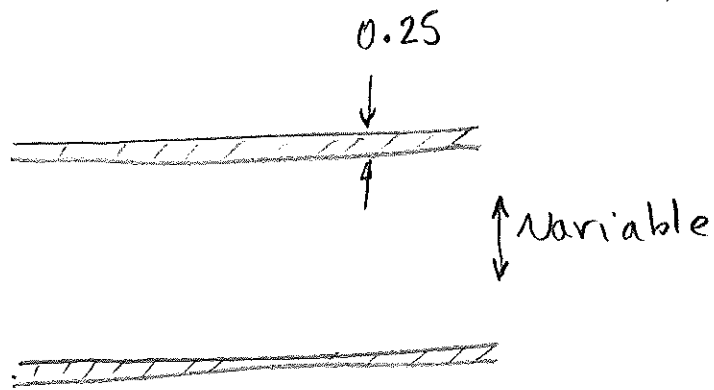
HW on chapter-9 Solutions

①

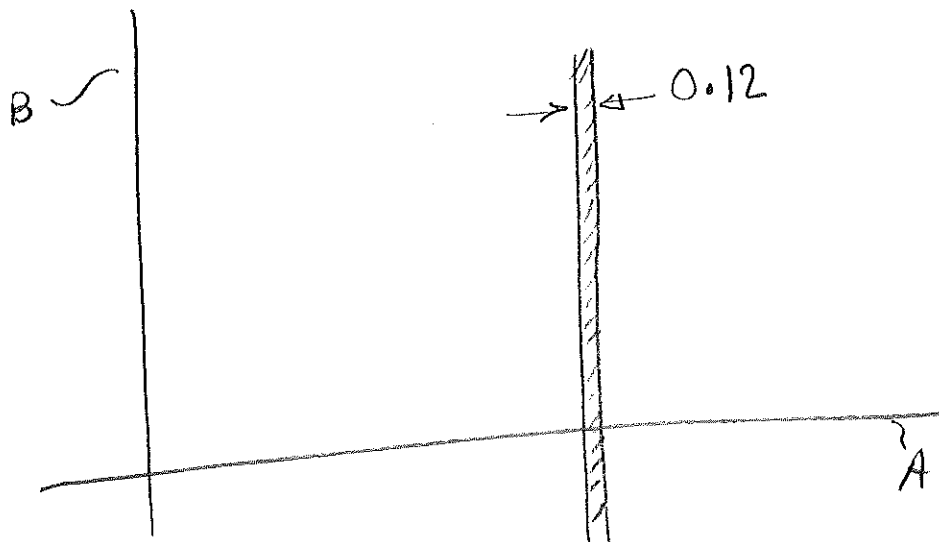
#1)



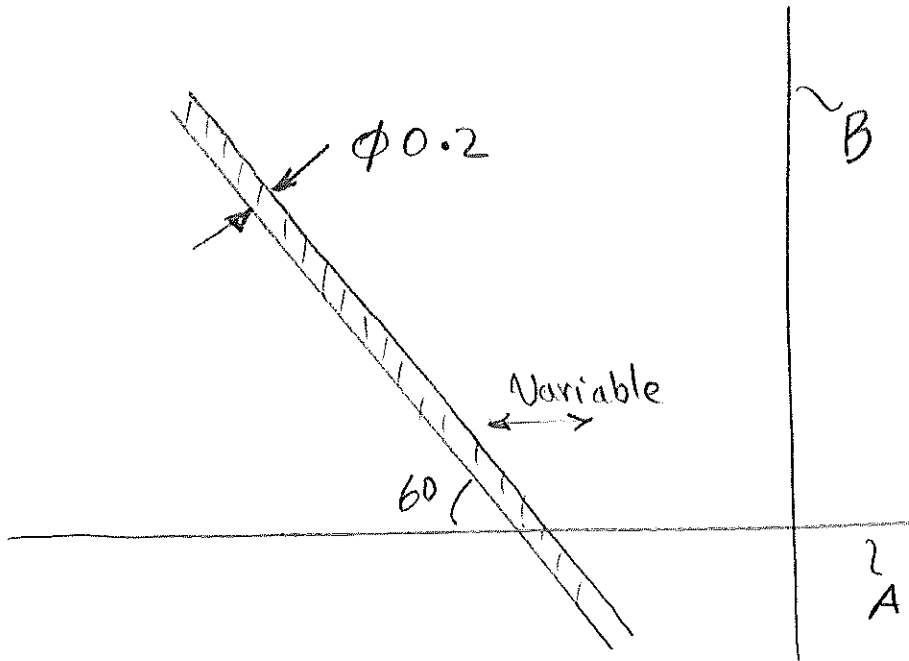
#2)



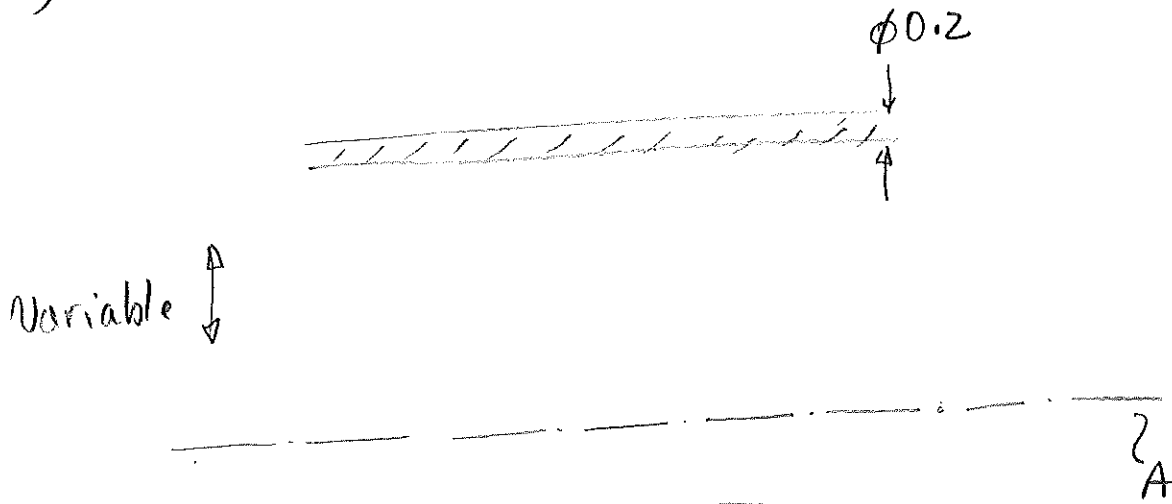
#3



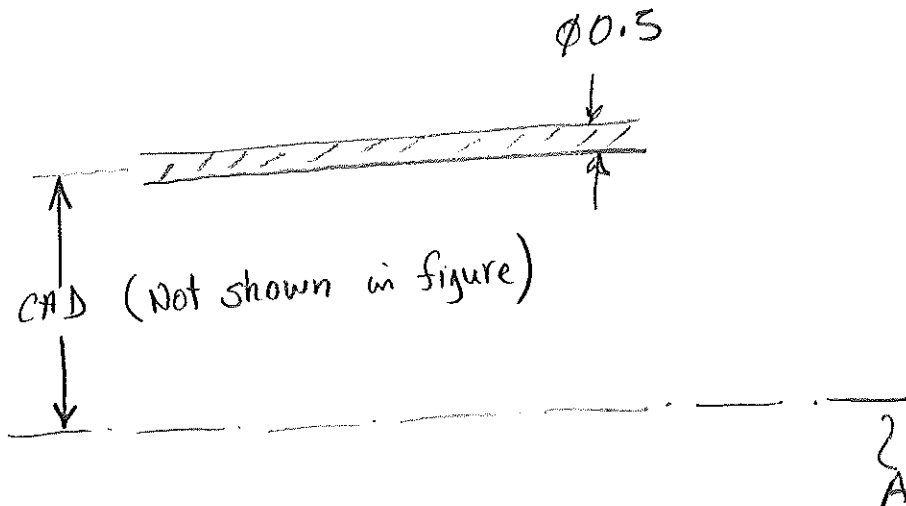
#4)



#5)

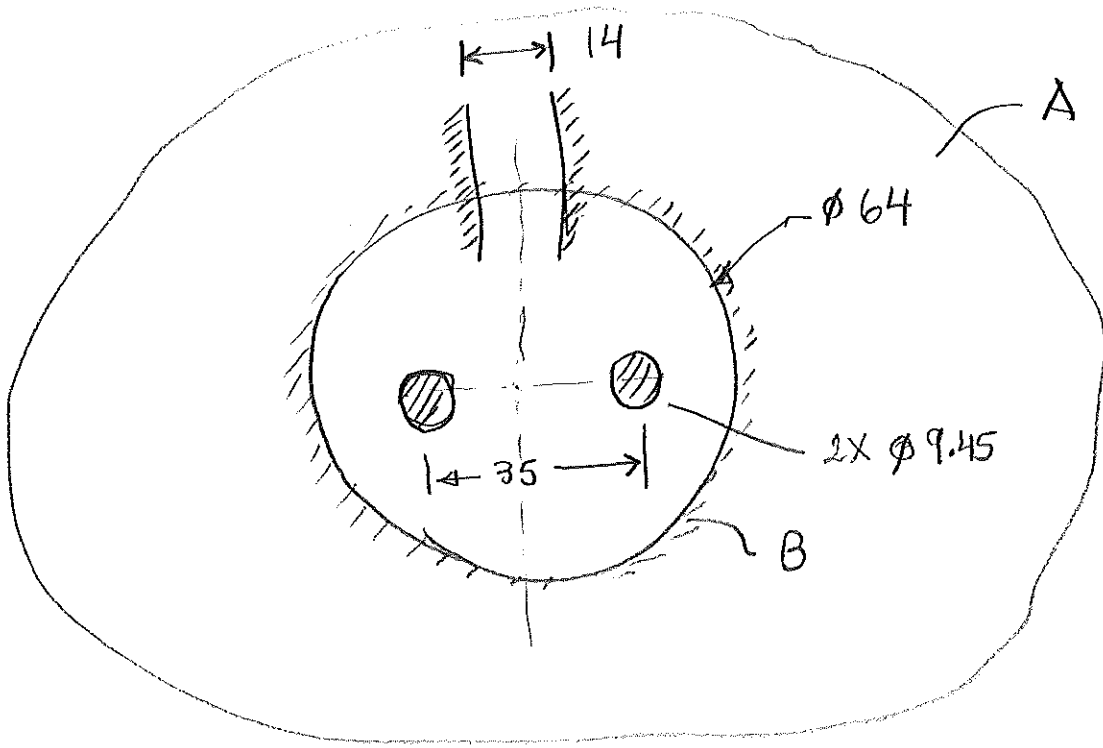


#6)



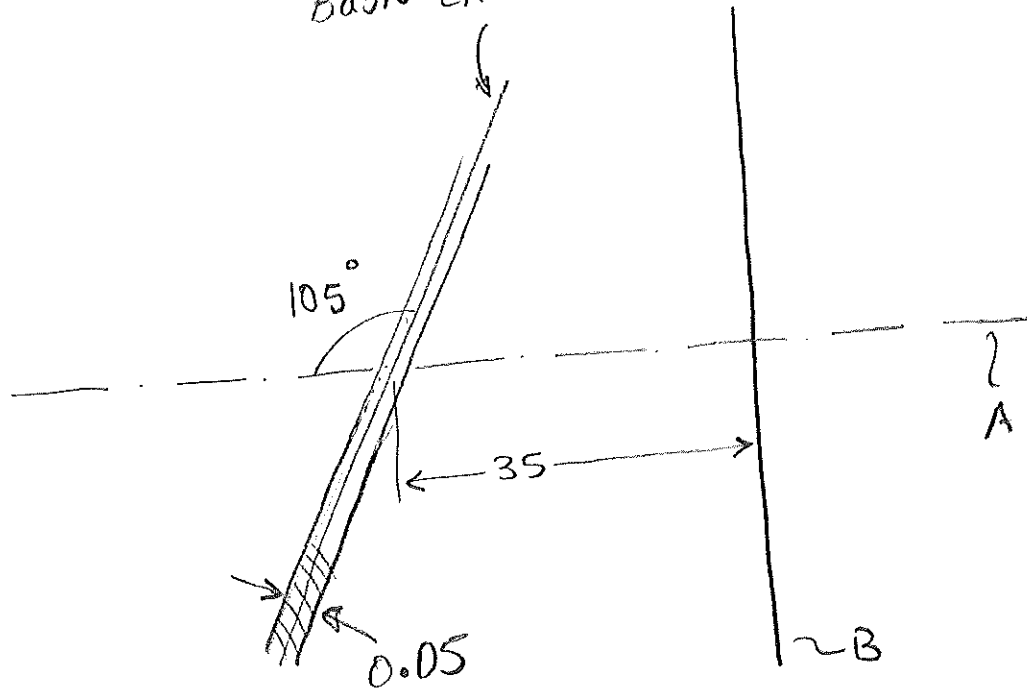
#7)

③



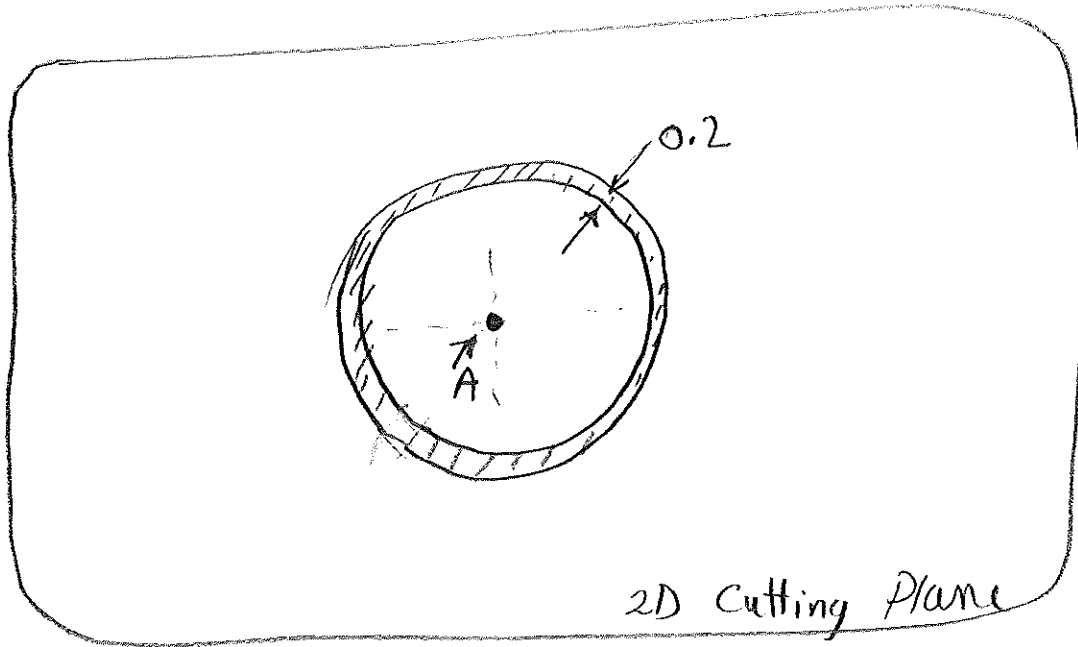
#8)

Basic CAD Geometry



#9)

4



Note: This is for the Lower statement applied to cylindrical feature.

The upper statement requires a "cutting cone" that we did not discuss in class